

Model: ACE 61B2

Data

Type: Condensers

Producer: ECO

Series: ACE

Model: ACE 61B2

Condenser technical data

Speed:	<u>low</u>	<u>high</u>
Air flow [m ³ /h]:	7210	8780
Heat exchange surface [m ²]:		66
Inner volume [dm ³]:		8
Weight [kg]:		74

Fans technical data

Count:		1
Diameter [mm]:		630
Speed:	<u>low</u>	<u>high</u>
RPM [min ⁻¹]:	640	870
Power input [W]:	400	660
Current [A]:	0,71	1,3
Power supply [V/f/Hz]:		400V/3/50Hz

Acoustic data

Speed:	<u>low</u>	<u>high</u>
Sound pressure level :	39	46

Connections

	<u>millimeters</u>	<u>inches</u>
Inlet:	28	
Outlet:	22	

Model: ACE 61B2

Capacity

R404A/R507

Cooling capacity [kW] (high speed)

TD \ t_a	15	20	25	30	35	40	45	50
8	16.58	16.40	16.16	15.88	15.60	15.34	15.12	14.97
10	20.73	20.50	20.20	19.86	19.50	19.17	18.90	18.72
12	24.87	24.60	24.24	23.83	23.40	23.01	22.68	22.46
14	29.02	28.70	28.28	27.80	27.30	26.84	26.46	26.20
16	33.16	32.80	32.32	31.77	31.20	30.67	30.24	29.95
18	37.31	36.90	36.36	35.74	35.10	34.51	34.02	33.69
20	41.45	41.01	40.40	39.71	39.00	38.34	37.80	37.43

Cooling capacity [kW] (low speed)

TD \ t_a	15	20	25	30	35	40	45	50
8	14.61	14.45	14.24	14.00	13.75	13.51	13.32	13.19
10	18.26	18.07	17.80	17.50	17.18	16.89	16.65	16.49
12	21.92	21.68	21.36	21.00	20.62	20.27	19.98	19.79
14	25.57	25.29	24.92	24.50	24.06	23.65	23.31	23.09
16	29.22	28.91	28.48	28.00	27.50	27.03	26.65	26.39
18	32.88	32.52	32.04	31.49	30.93	30.41	29.98	29.69
20	36.53	36.13	35.60	34.99	34.37	33.79	33.31	32.99

Operating conditions: height 0 m above sea level, aluminium fins

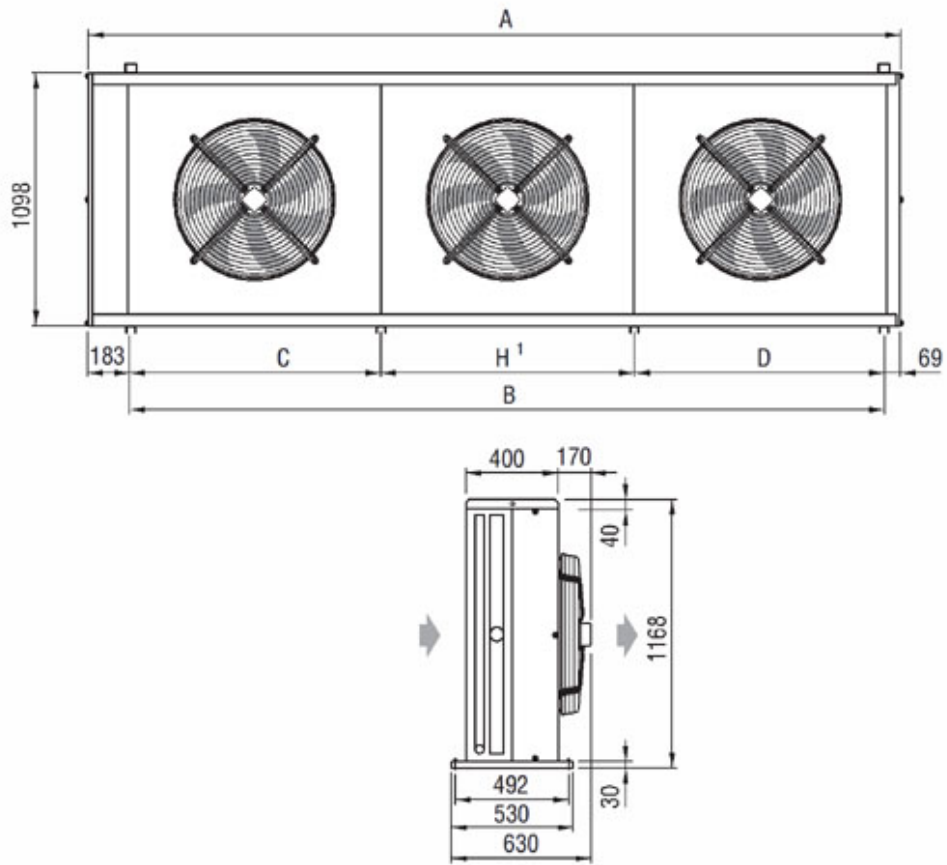
TD - Difference between condensing and ambient temperature [K]

t_a - Ambient temperature [°C]

Model: ACE 61B2

Dimensions

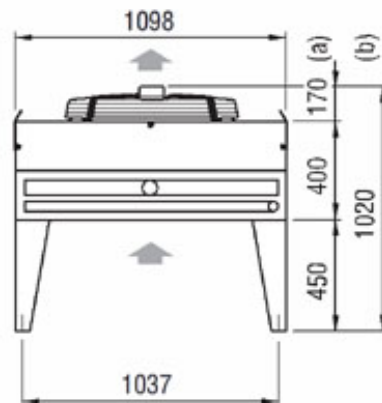
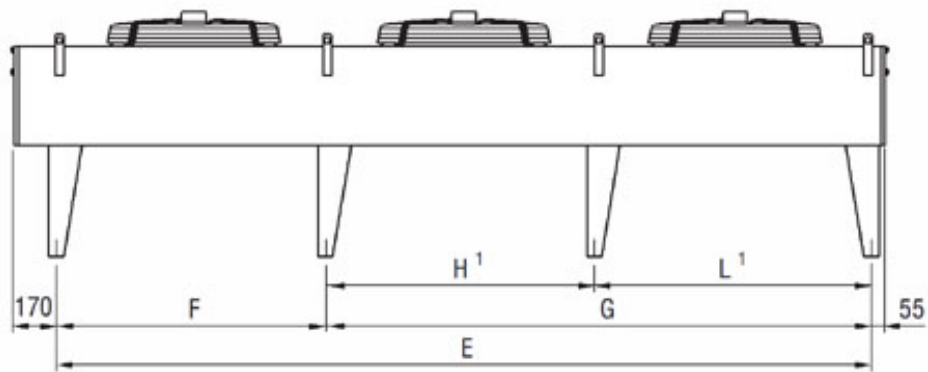
Version H



Version V

Model: ACE 61B2

Dimensions



A	1325 mm
B	1073 mm
C	- mm
D	- mm
E	1100 mm
F	- mm
G	- mm
H	- mm
I	- mm